

CS-H6c-R105-1J4WF

Smart Wi-Fi Pan & Tilt Camera



Introduction

EZVIZ products have been designed for your entertainment, communication and security. When you install the EZVIZ App on your smartphone or tablet, EZVIZ devices will be connected to the cloud via their QR code and will immediately be online. With EZVIZ you can talk to your loved ones, watch your child's progress when you are away, keep an eye on your home, interact with your four-legged friends and prevent household accidents.

Main Features



Motorized Pan and Tilt 360° Visual Coverage with 2K+(4MP) Resolution



Night Vision (Up to 10m/33ft)



Auto-Zoom Tracking



Two-way Calling with Button



D-WDR Digital wide dynamic



2.4/5GHz Dual Band Wi-Fi



Smart Color Night Vision with Light (Up to 5m/16ft)



Human Shape Detection & Tracking



Patrol Mode



Loud Noise Detection

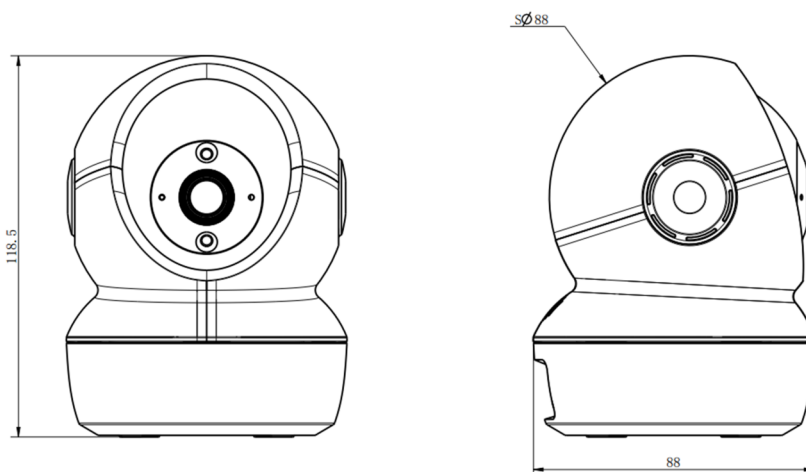


Sleep Mode



MicroSD Slot for Local Storage (Up to 512GB)

Dimension



Specifications

Model	CS-H6c-R105-1J4WF
Camera	
Resolution	4MP /2K+ Resolution
Image sensor	F1.6@1/3" Progressive Scan CMOS
Shutter Speed	Self-adaptive shutter
Lens	4mm, view angle: 90°(Diagonal), 80° (Horizontal), 43°(Vertical)
Lens Mount	M12
Day & Night	IR-cut filter with auto-switching
DNR	3D DNR
WDR	Digital WDR
Compression	
Video Compression	H.264/H.265
Video Bit Rate	Adaptive bit rate.
Image	
Max. Resolution	2560 × 1440
Frame Rate	Max: 30fps; Self-Adaptive during network transmission
Network	
Smart Alarm	Motion Detection, Human Shape Detection, Loud Noise Detection, Patrol Mode Detection
Wi-Fi Pairing	AP pairing
Protocol	EZVIZ cloud proprietary protocol
Interface Protocol	EZVIZ cloud proprietary protocol
Interface	
Storage	Micro SD card slot (Max. 512G)
Power	TYPE-C
Wired Network	RJ45 X 1 (10M/100M self-adaptive Ethernet port)
Wi-Fi	
Standard	IEEE802.11a, 802.11b, 802.11g, 802.11n,
Frequency Range	2.4G: 2400~2483.5MHz 5G: 5150MHz-5250MHz
Channel Bandwidth	Supports 20MHz
Security	WPA/WPA2, WPA-PSK/WPA2-PSK
Transmission Rate	11b 11Mbps, 11g 54Mbps, 11nHT20 MCS7, 11a 54Mbps, 11nHT20 MCS7
Output Power (EIRP)	19 dBm
Antenna Gain	1.9 dBi
General	
Operating Conditions	-10°C to 45°C (14°F to 113 °F), Humidity 95% or less (non-condensing)
Power Supply	DC 5V/2A
Power Consumption	8W max
IR Range	MAX. 10 meters(32. 81ft)
Dimensions	88mm x 88.2 mm x 119mm (3.46" x 3.47" x 4.69")
Packaging Dimensions	103mm x 103mm x 168mm (4.06" x 4.06" x 6.61")
Bare Weight	252 g / 8.9 oz