

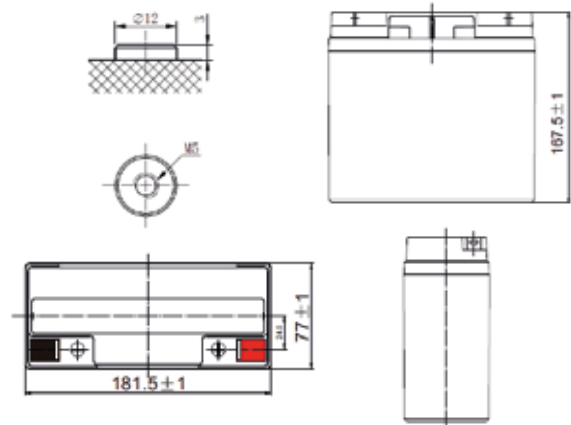
VIPERTEK®

MODEL

VIP-1218



Dimensions and Terminal



Certification



Specification

Nominal Voltage	12V	
Dimensions	Length (mm)	180
	Width (mm)	75
	Height (mm)	164
	Total Height (mm)	164
Approx Weight	KG	6 Aprox
Terminal	Tab with Bolt Hole	
Container Material	ABS	
Max. Discharge Current	270A (5s)	

Operating Temp. Range Discharge : -15 ~ 50°C (5 ~ 122°F)
 Charge : 0 ~ 40°C (32 ~ 104°F)
 Storage : -15 ~ 40°C (5 ~ 104°F)

Nominal Operating Temp. Range 25±3°C (77 ± 5°F)
 Cycle Use Initial Charging Current less than 5.4A
 Voltage: 14.4V ~ 15.0V at 25°C (77°F)
 Temp. Coefficient: -30mV/°C

Standby Use No limit on Initial Charging Current
 Voltage: 13.5V ~ 13.8V at 25°C (77°F)
 Temp. Coefficient: -20mV/°C

Capacity affected by Temperature	40°C (104°F)	103%
	25°C (77°F)	100%
	0°C (32°F)	86%

Self Discharge Fully charged batteries may be stored for up to 6 months at 25°C (77°F) and then a freshening charge is required. For higher temperatures the time interval will be shorter.