

DS-KIS608-P IP Video Intercom Kit



- Convenient Hik-Connect APP Mobile Control
- One call button for easier calls
- Standard PoE power supply
- Including: Door station x1, Indoor station x1, PSU × 2, 32GB TF card x1
- Power adapter included in the package

▪ Specification

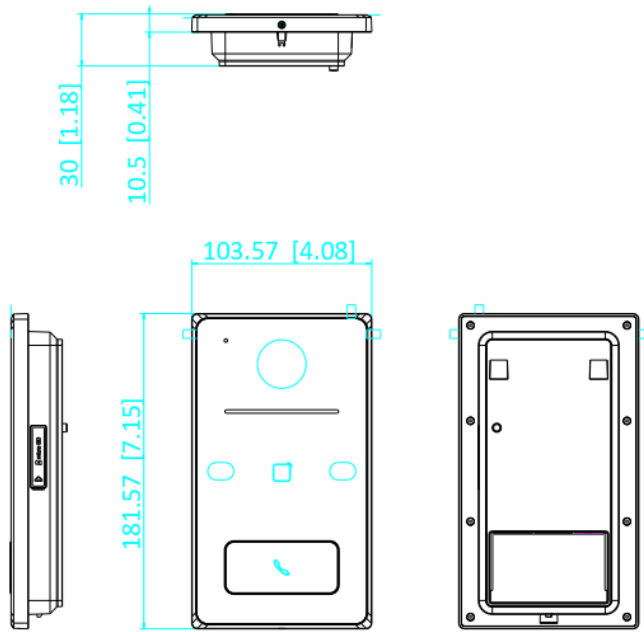
Door station	
Operation system	LINUX
Flash	32 MB
RAM	256MB
Door station	
Camera	2MP HD camera
Night vision	Low illumination IR supplement mode:2.5m
Backlight compensation	Support
Digital noise reduction	Support
WDR	True WDR
Field of view	Horizontal: 129° Vertical: 75°
Video Compression Standard	H.264
Stream	PAL: Main stream: 1080p@25fps, 720p@25fps Sub stream: 720p@25fps, 480p@25fps NTSC: Main stream: 1080p@30fps, 720p@30fps Sub stream: 720p@30fps, 480p@30fps
Motion detection	Support
Flash-avoid frequency	50 Hz, 60 Hz
Door station	
Audio input	1 built-in omnidirectional microphone
Audio output	1 built-in loudspeaker
Audio quality	Noise suppression and echo cancellation
Audio compression standard	G722.1、 OPUS、 G711U、 G711A、 G726 、 AAC_LC、 AAC_LD
Audio compression Rate	16/32/64 Kbps
Audio intercom	Two-way audio communication
Door station	
Network protocol	TCP/IP, SIP, RSTP
Wi-Fi	2.4GHz, IEEE802.11b, IEEE802.11g, IEEE802.11n
Door station	
Network interface	1 RJ-45, 10/100 Mbps self-adaptive
RS-485	1
Alarm input	4
Lock control	1 relay, Max. 30 VDC 2 A
Door contact input	1
TAMPER	1
TF card	1(Reserved)
Audio output	1 external loudspeaker(Reversed)
Door station	
Power consumption	< 10 W
Working temperature	-40° C to 53° C(-40° F to 127.4° F)
Working humidity	10% to 95%
Dimension	181.6 mm × 103.6 mm × 29.5 mm
Installation	Surface mounting, Flush mounting

Protection level	IP65
Indicator	2
Power supply	IEEE802.3af, standard PoE 12 VDC
Indoor station	
Operation system	Linux
Memory	128 MB
Flash	32 MB
Indoor station	
Display screen	7-inch colorful TFT screen
Display resolution	1024 × 600
Operation method	Capacitive touch screen
Indoor station	
Audio input	1 built-in omnidirectional microphone
Audio output	1 built-in loudspeaker
Audio quality	Noise suppression and echo cancellation
Audio compression standard	G.711 U
Audio compression Rate	64 Kbps
Indoor station	
Wired network	1 RJ-45, 10/100 Mbps self-adaptive
Wireless network	2.4 GHz, IEEE802.11b, IEEE802.11g, IEEE802.11n
Protocol	TCP/IP, SIP, RTSP
Indoor station	
RS-485	1 RS-485 (Half duplex)
Alarm input	8-ch alarm inputs
Relay output	2
TF card	Support TF card, up to 128 G
Indoor station	
Power consumption	≤ 5 W
Power supply	12 VDC, 1 A, IEEE802.3af, Standard PoE
Working temperature	-10 °C to 50 °C (14 °F to 122 °F)
Working humidity	10% to 90%
Dimension (L x W x H)	175 mm × 113.5 mm × 21 mm (6.9" × 4.5" × 0.83")

▪ Available Model

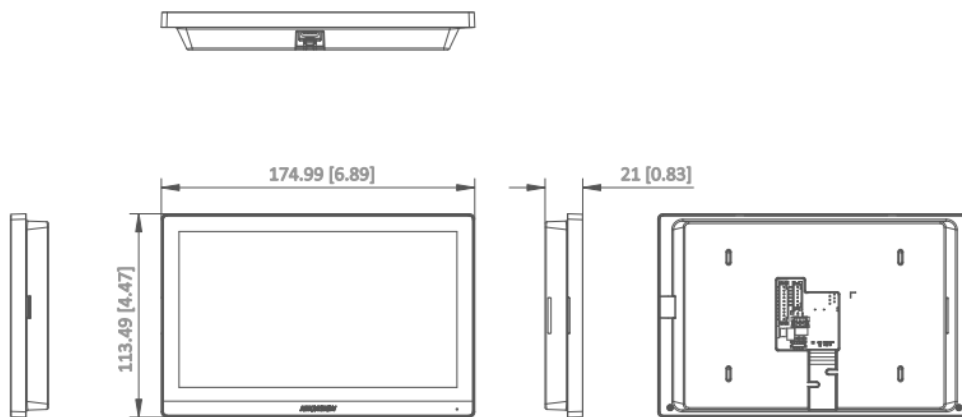
DS-KIS608-P

▪ Dimension



Unit:mm [inch]

SCALE	1:1
-------	-----



Unit:mm [inch]

SCALE	1:1
-------	-----

See Far, Go Further



www.hikvision.com
support@hikvision.com

